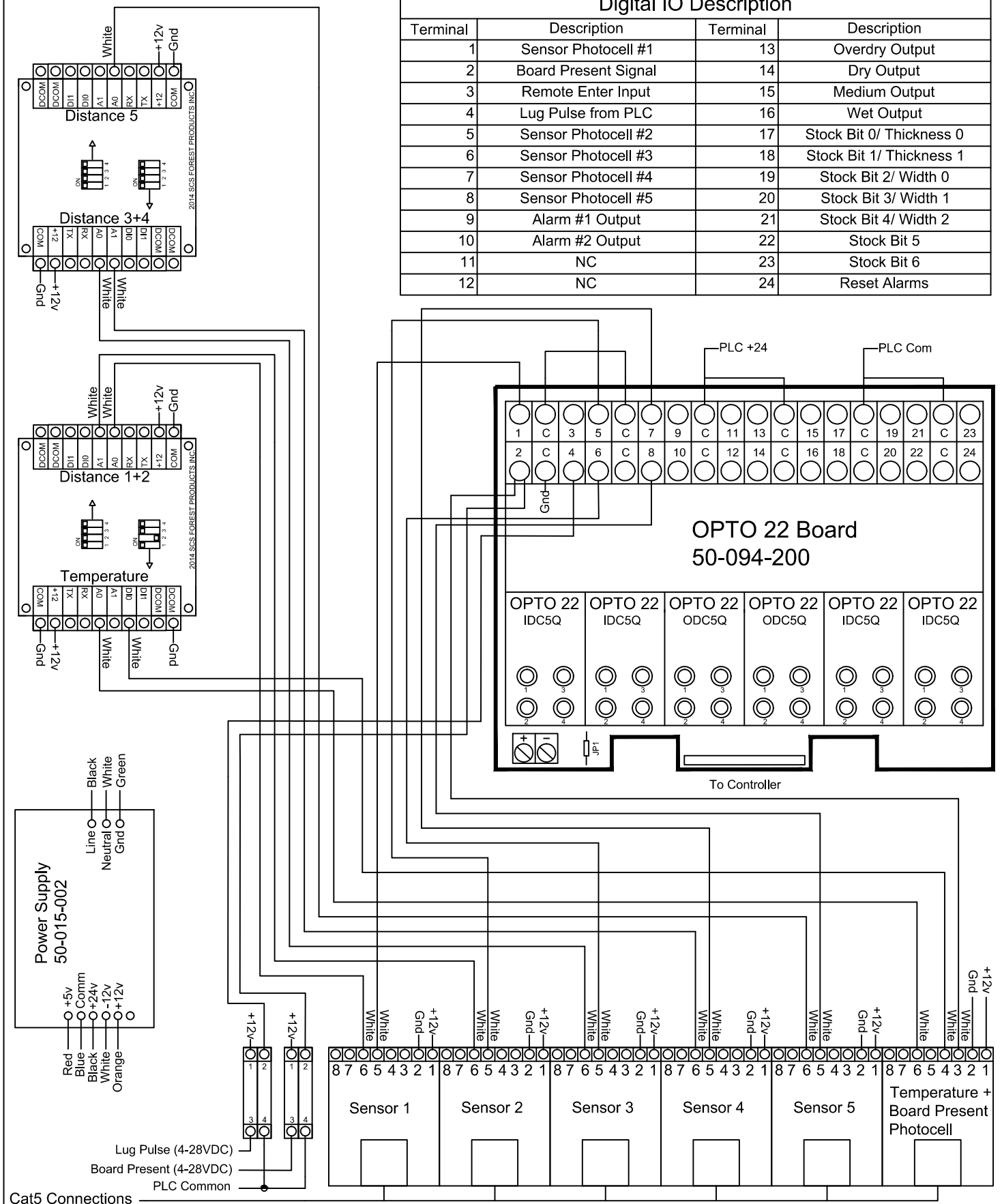


### Digital IO Description

Terminal	Description	Terminal	Description
1	Sensor Photocell #1	13	Overdry Output
2	Board Present Signal	14	Dry Output
3	Remote Enter Input	15	Medium Output
4	Lug Pulse from PLC	16	Wet Output
5	Sensor Photocell #2	17	Stock Bit 0/ Thickness 0
6	Sensor Photocell #3	18	Stock Bit 1/ Thickness 1
7	Sensor Photocell #4	19	Stock Bit 2/ Width 0
8	Sensor Photocell #5	20	Stock Bit 3/ Width 1
9	Alarm #1 Output	21	Stock Bit 4/ Width 2
10	Alarm #2 Output	22	Stock Bit 5
11	NC	23	Stock Bit 6
12	NC	24	Reset Alarms



# 2400 MCU - Power and IO Diagram